

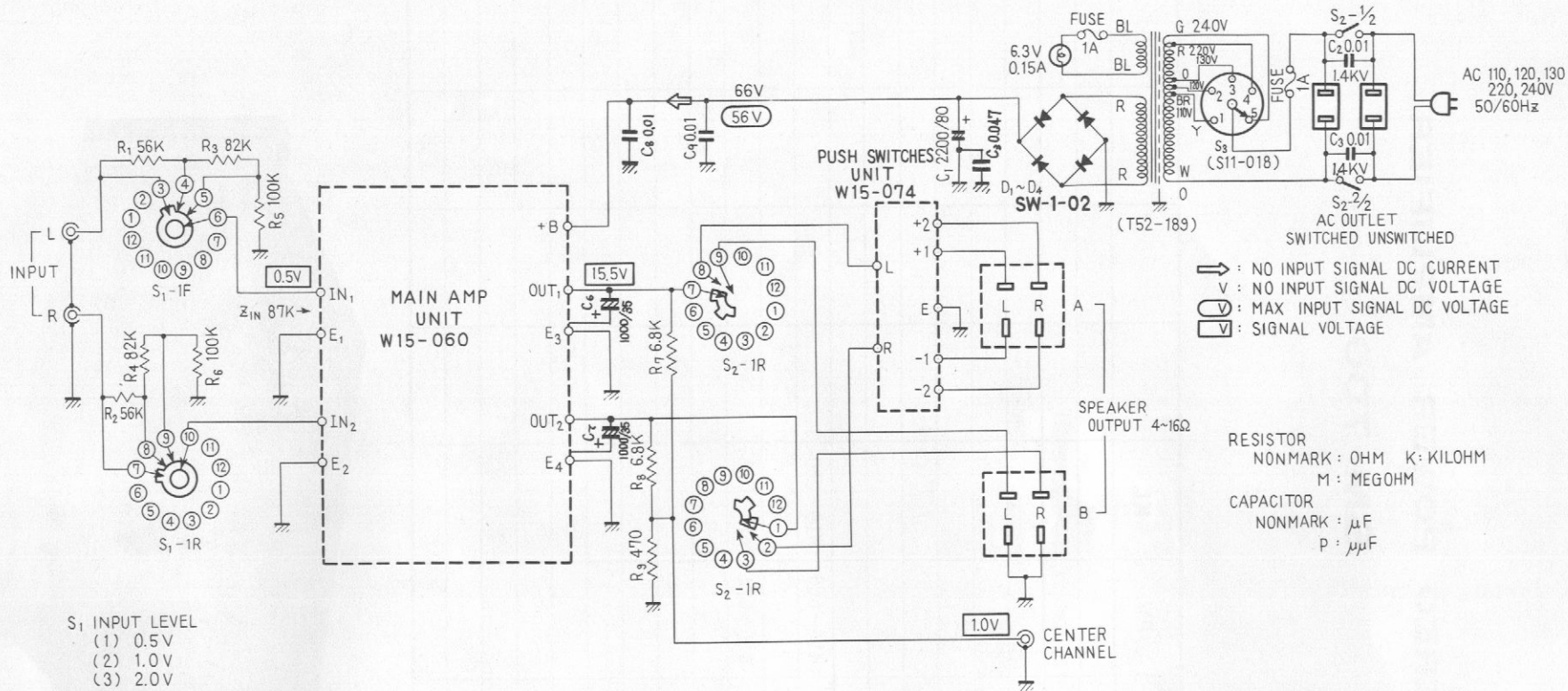
# STEREO POWER AMPLIFIER

## SM-700

ROUND LABEL UNIT	FV	KL				
FM FRONT END						
FM IF UNIT						
MPX UNIT						
AM TUNER UNIT						
MUTING UNIT						
HEAD AMP UNIT						
CONTROL AMP UNIT						
MAIN AMP UNIT	W15-060	W15-060				
POWER SUPPLY UNIT						
PUSH SWITCH UNIT	W15-074	W15-074				
SWITCH UNIT						
SWITCH UNIT						
TONE COLOR UNIT						
CONTROL UNIT						
MIC AMP UNIT						
REVERBE AMP UNIT						
REVERBE UNIT						



# SM-700



- S<sub>1</sub> INPUT LEVEL  
 (1) 0.5V  
 (2) 1.0V  
 (3) 2.0V
- S<sub>2</sub> SPEAKER SELECTOR  
 (1) POWER OFF  
 (2) A  
 (3) B  
 (4) A+B
- S<sub>3</sub> AC VOLTAGE SELECTOR

- ⇒ : NO INPUT SIGNAL DC CURRENT  
 V : NO INPUT SIGNAL DC VOLTAGE  
 ⊖ : MAX INPUT SIGNAL DC VOLTAGE  
 ⊕ : SIGNAL VOLTAGE

- RESISTOR  
 NONMARK : OHM K: KILOHM  
 M : MEGOHM
- CAPACITOR  
 NONMARK : μF  
 P : μμF

AC 110, 120, 130  
 220, 240V  
 50/60Hz

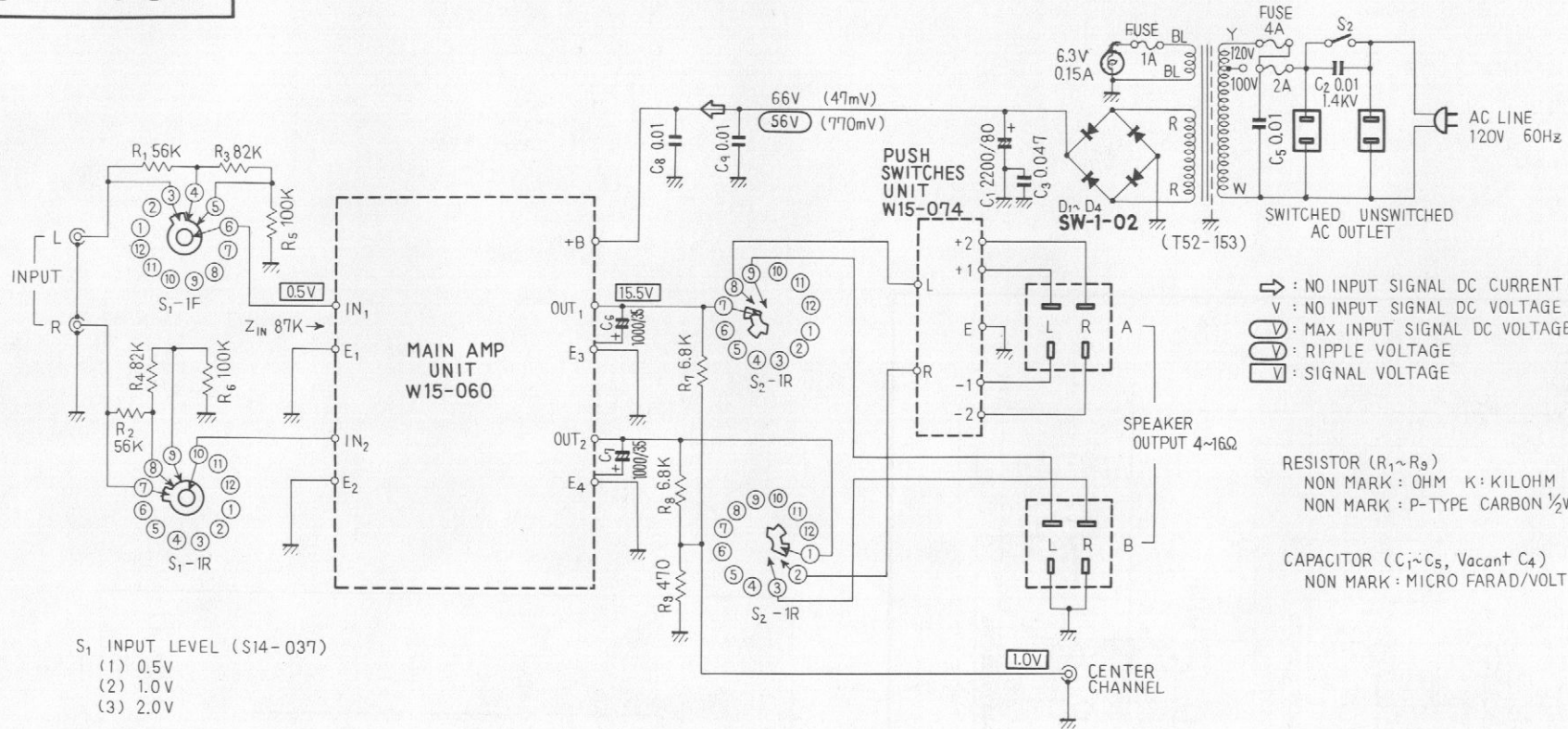
(T52-189)

SPEAKER  
 OUTPUT 4~16Ω

1.0V  
 CENTER  
 CHANNEL

# SM-700

SM-700 for KL model



S<sub>1</sub> INPUT LEVEL (S14-037)

- (1) 0.5V
- (2) 1.0V
- (3) 2.0V

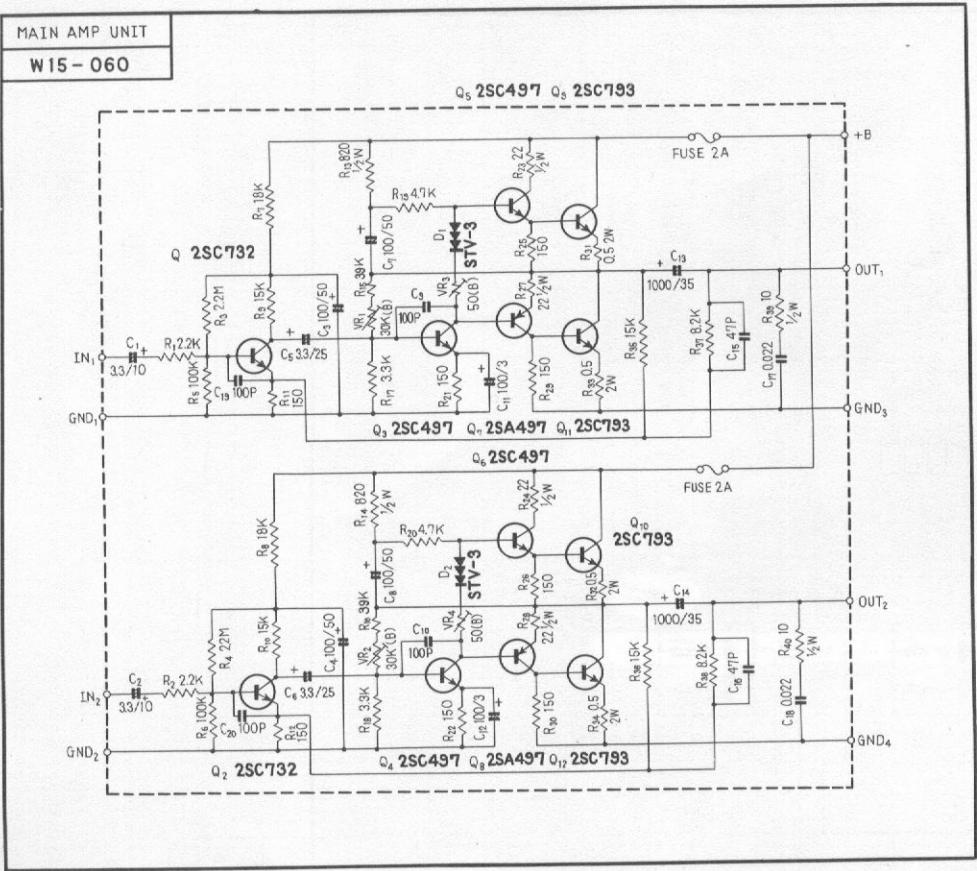
S<sub>2</sub> SPEAKER SELECTOR (S11-025)

- (1) POWER OFF
- (2) A
- (3) B
- (4) A+B

# MAIN AMP UNIT

MAIN AMP UNIT

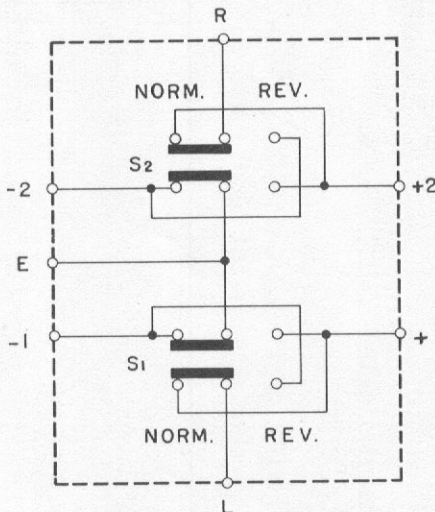
W15-060



# PUSH SWITCH UNIT

PUSH SWITCH UNIT

W15-074



SWITCHES (S<sub>1</sub>, S<sub>2</sub>)----PUSH SWITCH (S31-013-A)